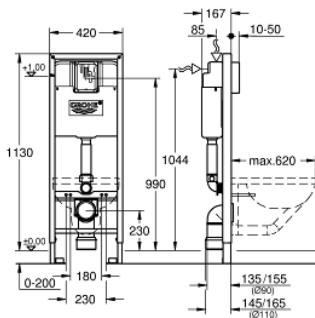


38 713 001 RAPID SL ELEMENT FOR WC, 1.13 M INSTALLATION HEIGHT, 0.42 M WIDTH

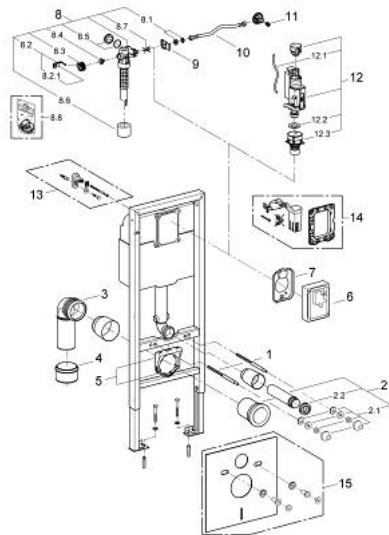


MÔ TẢ SẢN PHẨM

- flushing cistern 6 l
- 1.13 m installation height
- for on-the-wall installations or studed walls
- powder coated steel frame, self-supporting
- for dry-cladding, completely pre-assembled
- with fixed connections
- quick adjustment, lockable
- fixing material
- TÜV approved
- 2 WC fixing bolts
- fixing device for ceramic
- distance of fixing bolts 180/230 mm
- outlet bend Ø 90 mm
- depth adjustable
- reducer Ø 90/110 mm
- inlet and outlet connecting set
- pneumatic discharge valve offering 3 modes of operation: dual flush or start/stop or single flush
- water supply from top or back
- low noise (group I acc. to German Noise Specification)
- insulated against condensation
- ½" water supply connection including integrated angle valve and push fit flexible hose union
- without accessories for on-the-wall installation



38 713 001 RAPID SL ELEMENT FOR WC, 1.13 M INSTALLATION HEIGHT, 0.42 M WIDTH



PHỤ KIỆN LẮP ĐẶT , tháng 3 2013 – now

- 1: Threaded bolt (Order-nr. 4276400M)
- 2: WC inlet and outlet connecting set (Order-nr. 37311K00)
- 2.1: Basin fastening (Order-nr. 43511SH0)
- 2.2: Connector (Order-nr. 37119000)
- 3: PP-outlet bend Ø 90 mm (Order-nr. 42327000)
- 4: 4" Outlet Adaptor F Rapid SI (Order-nr. 42242000)
- 5: Support for outlet bend (Order-nr. 42243000)
- 6: Protection cap (Order-nr. 43944000)
- 7: Protective plate (Order-nr. 43552000)
- 8: Filling valve (Order-nr. 43537000)
- 8.1: Dummy plug and escutcheon cap (Order-nr. 37125000)
- 8.2: Lever (Order-nr. 43734000)
- 8.2.1: Ball seal dia. 9x6.8 mm (Order-nr. 4377000M)
- 8.3: Valve head (Order-nr. 43536000)
- 8.4: Membrane (Order-nr. 4375800M)
- 8.5: Screw cap (Order-nr. 43735000)
- 8.6: Valve float, 5 pcs. (Order-nr. 4379100M)
- 8.7: Throttle (Order-nr. 42356000)
- 8.8: Repl. kit f. seal (Order-nr. 43722000)*
- 9: Support device (Order-nr. 43551000)
- 10: Hose (Order-nr. 43349000)
- 11: Headpart (Order-nr. 42385000)
- 12: AV1 complete (Order-nr. 66558000)
- 12.1: pneumatic hose (Order-nr. 42319000)
- 12.2: Ball seal dia. 9x6.8 mm (Order-nr. 42310000)
- 12.3: Valve seat for GD2 (Order-nr. 42315000)
- 13: Wall union (Order-nr. 3855800M)*
- 14: Retro-fit set (Order-nr. 38796000)*
- 15: Set for noise protection (Order-nr. 37131000)*

* Phụ kiện đặc biệt