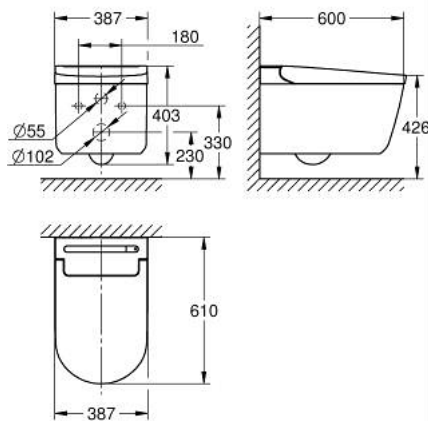


10 291 5SH 00 GROHE IGINA SHOWER TOILET WALL-HUNG



MÔ TẢ SẢN PHẨM

- Colour: alpine white
- auto open and close function with human detecting sensor
- dimensions: 387 x 610 mm
- height: 403 mm
- flush volume 5/3 l
- water pressure 0.05 - 1 MPa (0.5 - 10 bar)
- GROHE Triple Vortex flushing technology
- GROHE HyperClean antibacterial glazing
- GROHE AquaCeramic antistick coating
- rimless
- automatic opening/close function
- Dual Nozzle (1 for anal area, 1 for front spray)
- adjustable nozzle position
- adjustable spray intensity
- rear-massage spray for added comfort
- automatic pre- and post-rinsing of spray nozzle with fresh water
- integrated instant heater provides unlimited warm water
- warm air dryer with adjustable temperature
- odour trap
- heated seat with adjustable temperature
- quick release function
- soft close ABS WC seat (SIAA Kohkin Japanese standard compliant)
- exchangeable nozzles
- nozzle guard
- recommended in combination with a GROHE Rapid SL or SLX element (1.13 m installation height)
- optional: automatic flush kit (102 995 0200)
- Eco mode for reducing power consumption
- unlimited manual flushing if power outage occurred
- type of protection IPX4